

TVT AMERICA, INC.

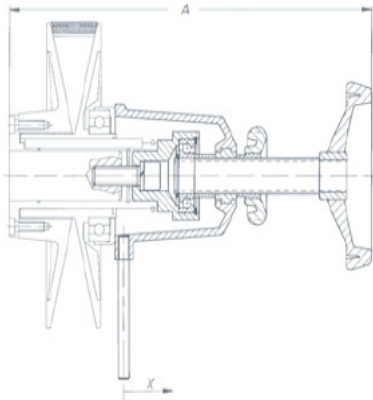
210 EAST MAIN: PO BOX 103
 HOLDENVILLE, OK 74848



Speed Adjustment Controls from Berges

- Variable pulley & Control mounted on drive shaft.
- No added axial loads on motor shaft bearing.
- Scale-Wheels optional (Hand Wheel Standard)
- Genuine BERGES Quality & Design Accessories.

SV



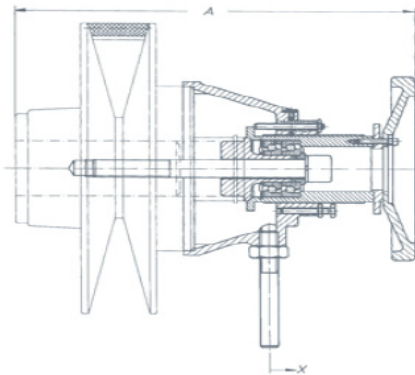
Pulley

105.13
100/100b
130b
127.17
150/150b
190b
196b
210/210b
235b
250b
280/280b
300b
350b

SV Controls

Model#	Adjustment		A
	x1	x2	
SV1	-	10.2	236
SV1	15.9	16.1	228
SV1	17.9	-	228
SV2	-	13.4	262
SV2	21.9	24.7	272
SV2	24.1	-	272
SV2	27.0	-	292
SV2	30.6	37.5	304
SV2	31.5	-	304
SV3	36.9	-	356
SV3	44.0	51.5	373
SV3	40.4	-	396
SV3	51.7	-	406

ZV



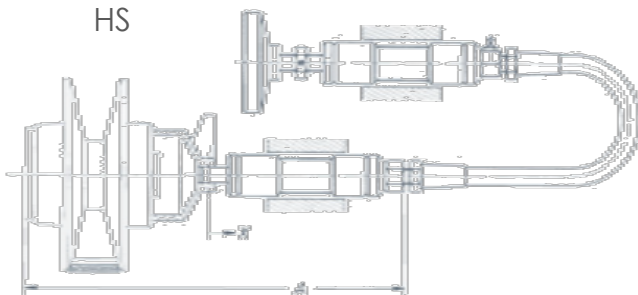
Pulley

375b
400b
450b
500b
600b

ZV Controls

Model#	Adjustment		A
	x1	x2	
ZV 375	48.2	-	386
ZV 400	49.8	-	368
ZV 450/500	56.8	-	464
ZV 450/500	58.3	-	464
ZV 600	61.3	-	610

HS



Pulley

100b
130b
150/150b
190b
196b
210/210b
235b
250b
280/280b

HS Controls

Model#	Adjustment		A
	x1	x2	
HS 100-130	15.9	16.1	263
HS 100-130	17.9	-	263
HS 150-196	21.9	24.7	298
HS 150-196	24.1	-	298
HS 150-196	27.0	-	310
HS 210-235	30.6	37.5	332
HS 210-235	31.5	-	332
HS 250-280	36.9	-	360
HS 250-280	44.0	51.5	387



** Dimensions in Millimeter **



Toll Free: 866.285.5055

www.tvtamerica.com

Free Fax: 866.768.4927