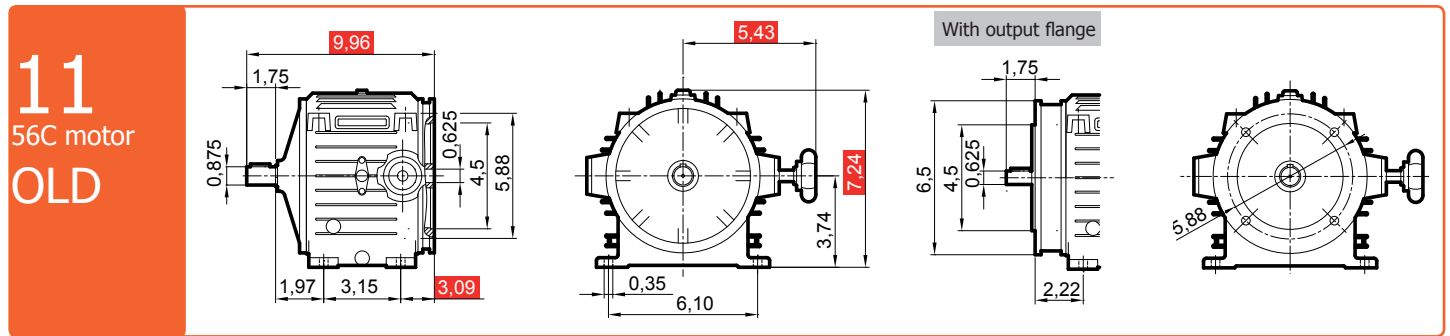
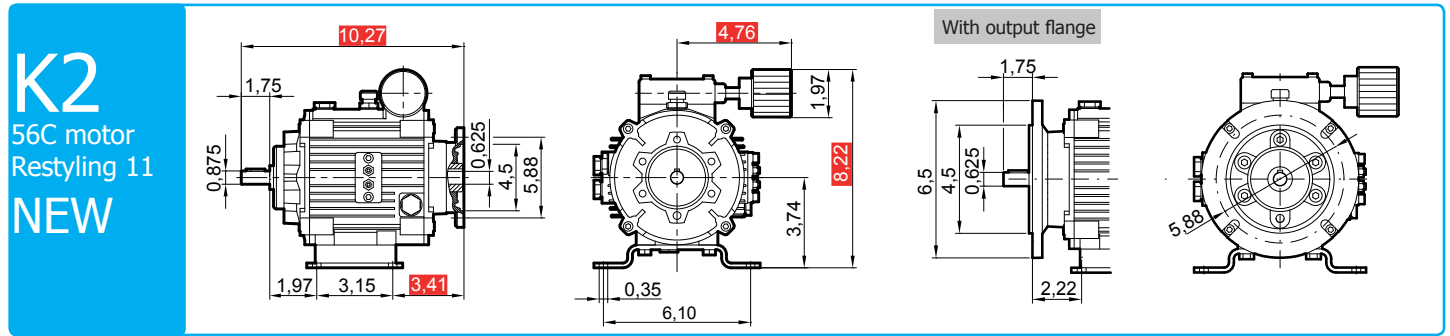


# Comparison of dimensions

0,5 Hp

## K2-11 (56C motor)

All mounting dimensions are the same, only coloured measures are different **10,27**



## ADVANTAGES

The new K2-K4-K5 variator is a restyling of type A2-A4-A8-A10-A12. All the fixing dimensions are unchanged, only few secondary measures change.

The new model has the same performance of previous one, but with some other functional advantages for which you can see next table.

	New K2	Old 11
<b>Input Rotation</b>		
<b>Mounting position</b>	<b>UNIVERSALE</b>	TO BE SPECIFIED
<b>Output Torque</b>	<b>ADJUSTABLE</b>	NOT AVAILABLE
<b>Speed Indicator Wheel</b>	<b>INCLUDED</b>	EXCLUDED
<b>Speed controls</b>	<b>SAME</b>	SAME

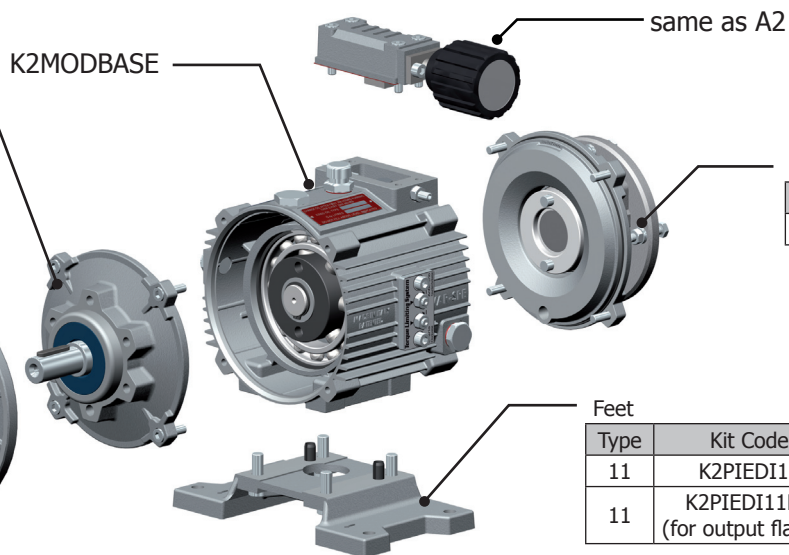
### Kit codes

Output

shaft Ø [inch]	Kit code
0,625	K2KITUSCMNE56 (for output flange)
0,875	K2KITUSCMNE56(11)

Output Flange

Size	Kit Code
143TC	K2KITFLUNEM143



Input

Size	Kit Code
56C	K2KITENTNE56

Feet

Type	Kit Code
11	K2PIEDI11
11	K2PIEDI11NE (for output flange)