

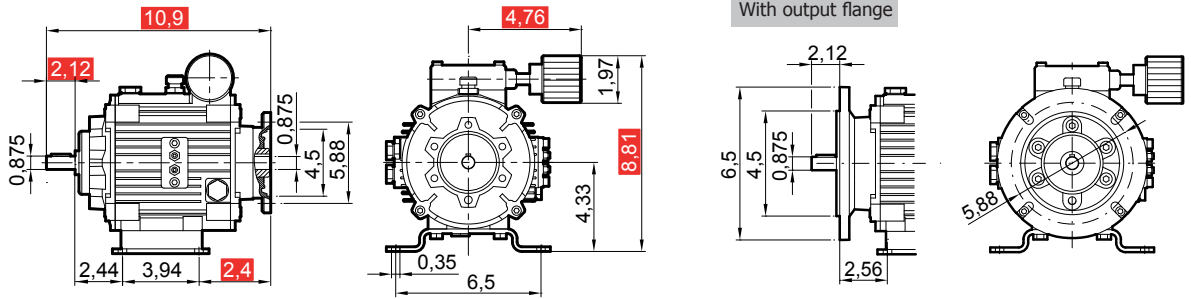
Comparison of dimensions

1 Hp

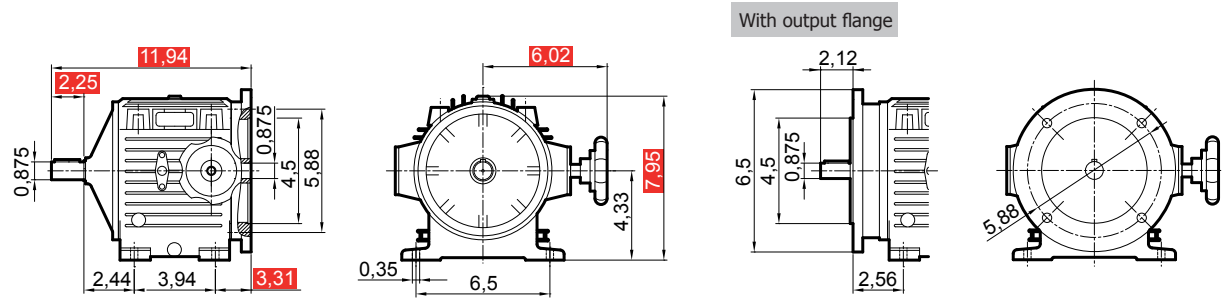
K2-12 (143TC motor)

All mounting dimensions are the same, only coloured measures are different **10,9**

K2
143TC motor
Restyling 12
NEW



12
143TC motor
OLD



ADVANTAGES

The new K2-K4-K5 variator is a restyling of type A2-A4-A8-A10-A12. All the fixing dimensions are unchanged, only few secondary measures change.

The new model has the same performance of previous one, but with some other functional advantages for which you can see next table.

	New K2	Old 12
Input Rotation		
Mounting position	UNIVERSALE	TO BE SPECIFIED
Output Torque	ADJUSTABLE	NOT AVAILABLE
Speed Indicator Wheel	INCLUDED	EXCLUDED
Speed controls	SAME	SAME

Kit codes

Output

shaft Ø [inch]	Kit code
0,875	K2KITUSCMNE143

K2MODBASE

same as A4

Input

Size	Kit Code
143TC	K2KITENTNE143

Output Flange

Size	Kit Code
143TC	K2KITFLUNEM143

Feet

Type	Kit Code
12	K2PIEDI12
12	K2PIEDI12NE (for output flange)

