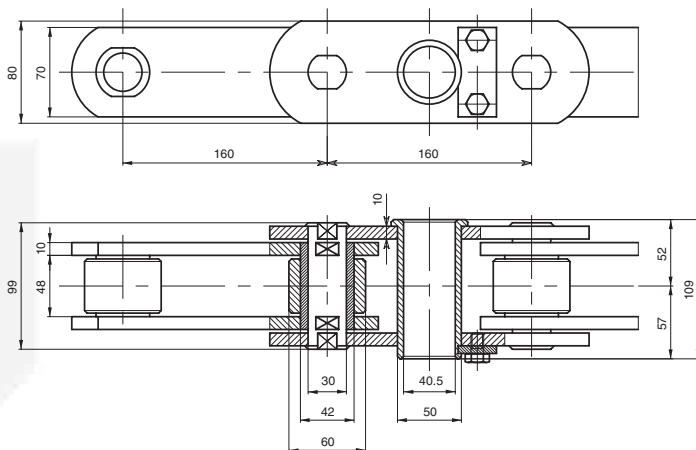
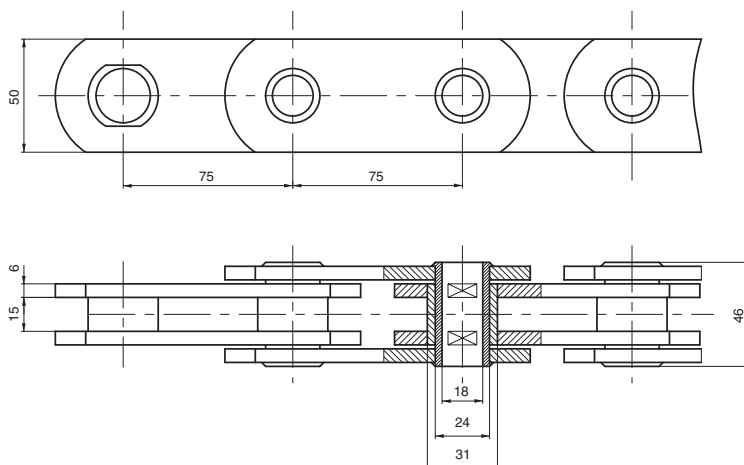


CHAINS FOR SPECIAL APPLICATIONS – PATERNOSTER



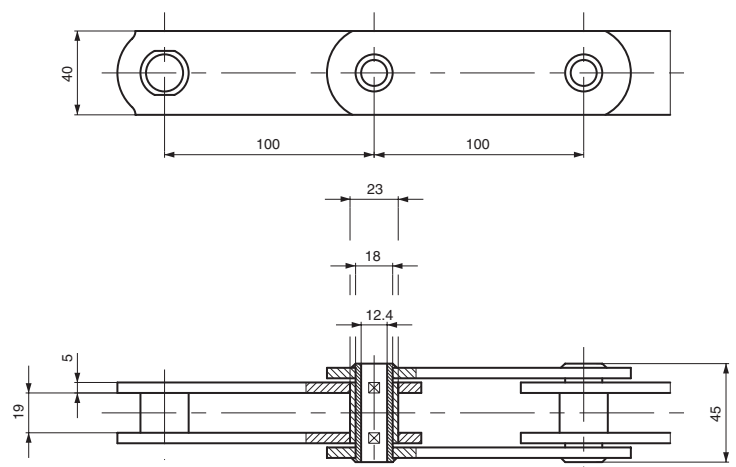
Chain P. 160x48x60 \varnothing R

 Breaking load: 520.000 N



Chain P. 75x15x31 \varnothing B

 Breaking load: 120.000 N



Chain P. 100x19x23 \varnothing B

 Breaking load: 100.000 N